

Features

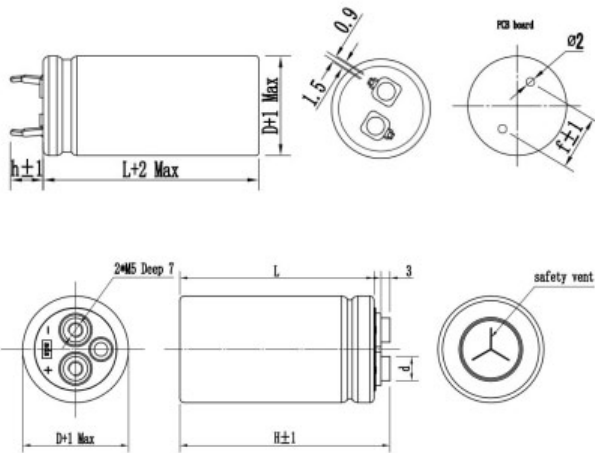
- Cylindrical with screw terminal
- Low ESR
- Over 1,000,000 duty cycles

Applications

- Pitching control system of Wind Turbine Generator
- UPS and backup power supply
- Electronic tools and police flash lights



Dimension



Dimension(mm)				
Capacitance(F)	D	L	h	f
100F	22	45	7.5	9
150F	25	50	7.5	10

Dimension(mm)					
Capacitance(F)	D	H	L	F	d
360	35	70	64.8	12.7	8

Specifications

Capacitance	Part Number	Maximum ESR (mΩ)		Rated Current (25°C, A)	Max. Current (25°C, A)	Leakage Current (mA) @ 20°C after 72 Hours	Stored Energy (Wh)	Specific Energy (Wh/Kg)	Typical Mass (g)
		AC @ 1kHz	DC						
100F	SCE0100C0-0002R7SLZ	9	12	8	61	0.26	0.101	4.4	23
150F	SCE0150C0-0002R7SLZ	8	12	10	72	0.5	0.152	4.3	35
360F	SCE0360C0-0002R7SHZ	2.8	3	25	233	0.7	0.37	4.6	80

Working Voltage	2.7 VDC
Surge Voltage	2.85 VDC
Capacitance Tolerance	-10% to +20% (25°C)
Operating Temperature Range	-40°C to 65°C, ΔC<5%, ΔESR<50% of initial measured value@ 25°C
Storage Temperature Range	-40°C to 70°C
Life Time	10 years, ΔC<30%, ΔESR<150% of specified value, LC< specified value @ 25°C
Cycle Life(25°C)	1,000,000 cycles, Cycled between rated voltage and 1/2 rated voltage under constant current @ 25°C

AARTECH 2011 All Rights reserved. Design, Specifications are subjected to change without notice

Web: <http://www.faradigm.com>
Tel. : +91-755-2463593,4276335
Email: ucap@aartechsolonics.com

Aartech Solonics Ltd.